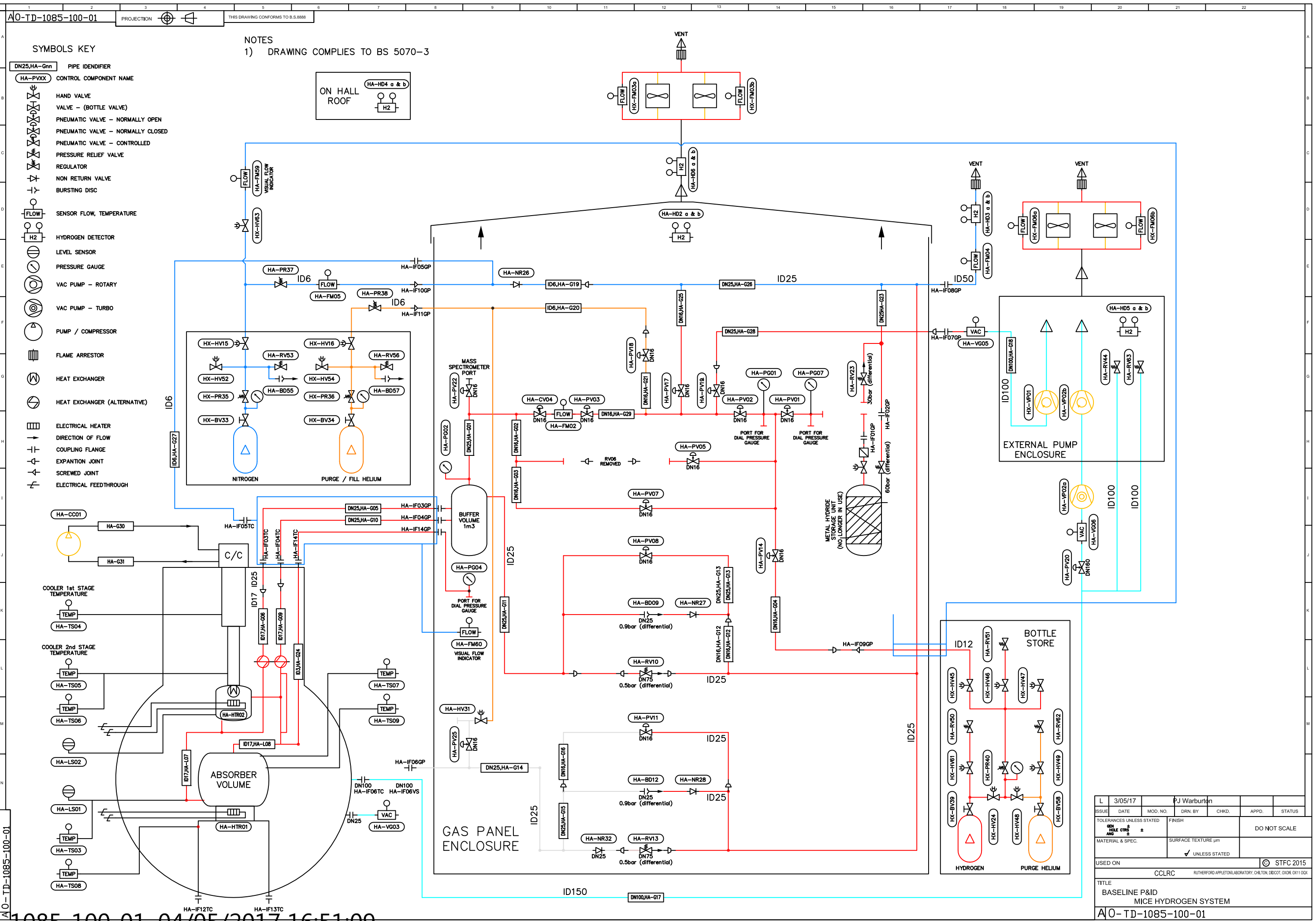
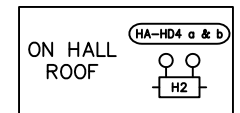


SYMBOLS KEY

- DN25,HA-Gnn PIPE IDENTIFIER
- HA-PVXX CONTROL COMPONENT NAME
- HAND VALVE
- VALVE - (BOTTLE VALVE)
- PNEUMATIC VALVE - NORMALLY OPEN
- PNEUMATIC VALVE - NORMALLY CLOSED
- PNEUMATIC VALVE - CONTROLLED
- PRESSURE RELIEF VALVE
- REGULATOR
- NON RETURN VALVE
- BURSTING DISC
- SENSOR FLOW, TEMPERATURE
- HYDROGEN DETECTOR
- LEVEL SENSOR
- PRESSURE GAUGE
- VAC PUMP - ROTARY
- VAC PUMP - TURBO
- PUMP / COMPRESSOR
- FLAME ARRESTOR
- HEAT EXCHANGER
- HEAT EXCHANGER (ALTERNATIVE)
- ELECTRICAL HEATER
- DIRECTION OF FLOW
- COUPLING FLANGE
- EXPANSION JOINT
- SCREWED JOINT
- ELECTRICAL FEEDTHROUGH

NOTES

1) DRAWING COMPLIES TO BS 5070-3



L	3/05/17	PJ Warburton				
ISSUE	DATE	MOD. NO.	DRN. BY	CHKD.	APPD.	STATUS
TOLERANCES UNLESS STATED			FINISH		DO NOT SCALE	
GEN AND SOLE CHG ±			SURFACE TEXTURE μm		UNLESS STATED	
MATERIAL & SPEC.			✓ UNLESS STATED			
USED ON			© STFC 2015			
CCLRC			RUTHERFORD APPLETON LABORATORY, CHILTON, DECCOT, OXON, OX11 0QX			
TITLE						
BASELINE P&ID						
MICE HYDROGEN SYSTEM						
A0-TD-1085-100-01						