

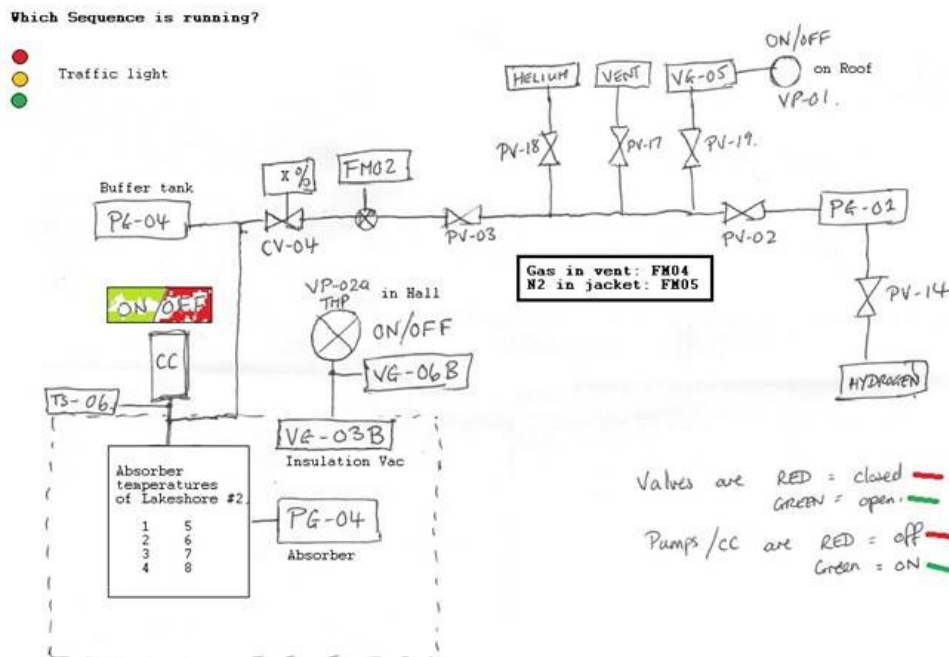
MICE LH2; 4 July 17; 11:15

Present: MT, CMW, PW, PF, AK

To discuss and decide on the GUI for remote LH2 monitoring, Alarm handler

Notes:

- The existing EPICS Graphics remote monitoring interface is confusing in its layout and numerous items on that GUI have been either removed in hardware (eg Hydride bed), or are not shown (eg enough temperatures)
- A simpler layout has been proposed by MT, containing only the minimum of required data and states of the H2 system and showing a clear path for the gas flow. This should allow any expert with remote access to assess the then present situation quickly and advise on, or start corrections, if necessary.
- VG-03C and VG-06C have further been removed from the simplified diagram as these sensors are Penning discharge sensors which will not be operational during H2 operation.
- VC-04 will show percentage, other valves will be red (closed) and green (open)
- The eight absorber temperatures have been moved to below the cryocooler.
- The traffic light warning system will be implemented on that display and the amber light will flash at 25% LEL (warning), the red light will flash at 50 LEL (Alarm)
- PW will send extra spread sheet outlining the signal connection points.



- A separate GUI for alarm handlers will be produced and this will be located in the MCR. Items displayed there: pressures, temperatures, state of cold head.