

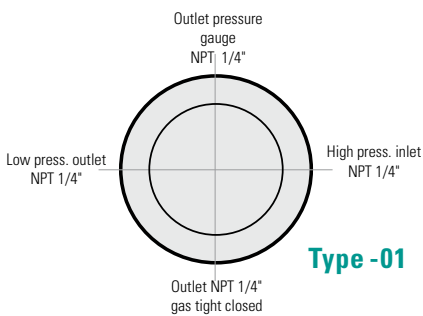


LMD 500-01

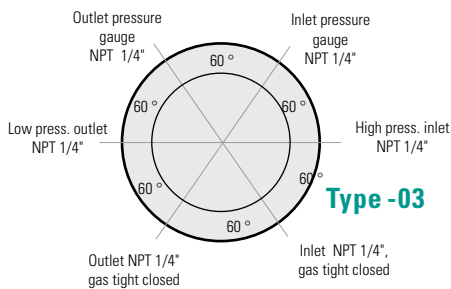


LMD 500-03

Connections (front view):



Type -01



Type -03

Single-stage, for inert, reactive, flammable and oxidizing gas and gas mixtures, purity max. 6.0, inlet pressure 40 bar / 600 psi, optional 230 bar / 3300 psi, outlet pressure range 0,2 - 50 bar / 3- 725 psi

Highlights

- ▲ Good control characteristics
- ▲ Compact design
- ▲ 4 or 6 port design

Features

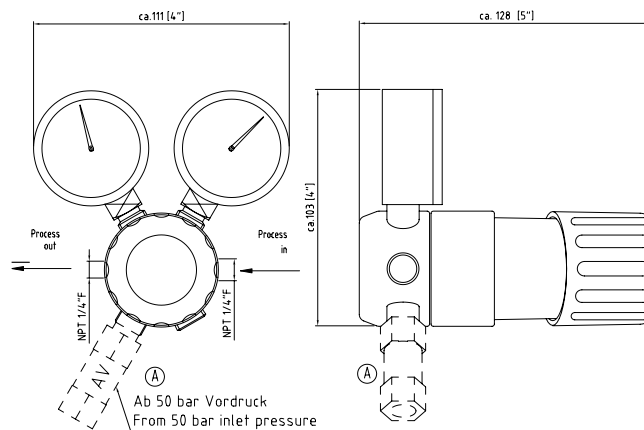
Great variety of use and possibility for connecting due to four or six inlet and outlet connection borings.

Application

The LMD 500 is designed to reduce line pressure to various lower pressure levels. Its compact design allows this pressure regulator to be used with industrial and analytical equipment.

Technical data

Body material:	stainless steel 316L (1.4404) specially cleaned and electro-polished or brass CW614 (CuZn39Pb3) specially cleaned, chrome-plated
Relief valve:	only for 230 bar version (Inlet pressure >50 bar / 720 psi)
Seat sealing:	PCTFE
Body sealings:	PCTFE (SS), PVDF (brass)
Relief valve seat material	FKM, (EPDM, FFKM)*, EPDM, (FKM) - *on request
Performance data:	see chapter 5.1
Basic design aspects:	see page 10
Pressure gauge range:	-1 - 10 bar (-15 - 145 psi) 0 - 25 bar (0 - 365 psi) 0 - 40 bar (0 - 600 psi) 0 - 80 bar (0 - 1150 psi) 0 - 315 bar (0 - 4500 psi)
Weight:	0,3/0,4 kg
Dimensions (wxhxd):	app. 115 x 140 x 120 to 140 mm housing diameter: 50 mm



Order code

Type	Material	Inlet pressure	Outlet pressure	Inlet conn.	Outlet conn.	Gas type
LMD 500-01	BC	E	3	CL6 BC	CL6 BC	Gas
LMD 500-01	BC = brass	E = 50 bar/ 720 psi	3 = 0,1 - 3 bar/1,5 - 45 psi	0	0	Specification
LMD 500-03	SS = stainless steel	(F = 230 bar/3300 psi)	6 = 0,5 - 6 bar/7 - 85 psi 14 = 1 - 14 bar/15 - 200 psi 50 = 2,5 - 50 bar/35 - 720 psi	CL6 CL8 CL10 CL12 BC = brass SS = stainless steel	CL6 CL8 CL10 CL12 BC = brass SS = stainless steel	of used gas

Outlet: (expl.: CL6=tube fitting with outer diameter 6 mm, NO6 = hose adaptor with hose inner diameter 6 mm)