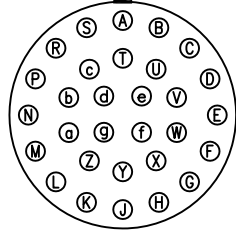
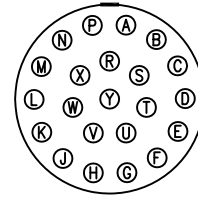


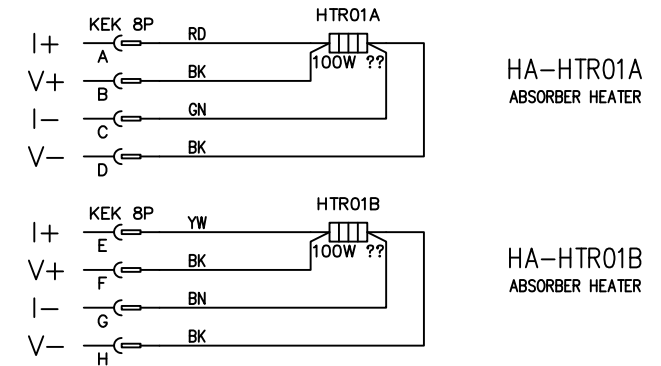
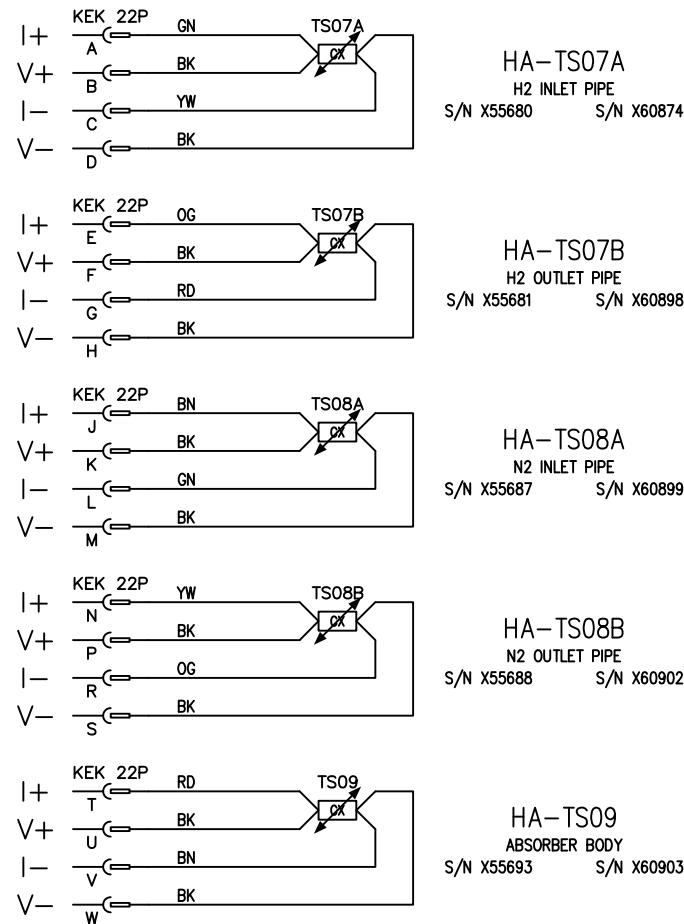
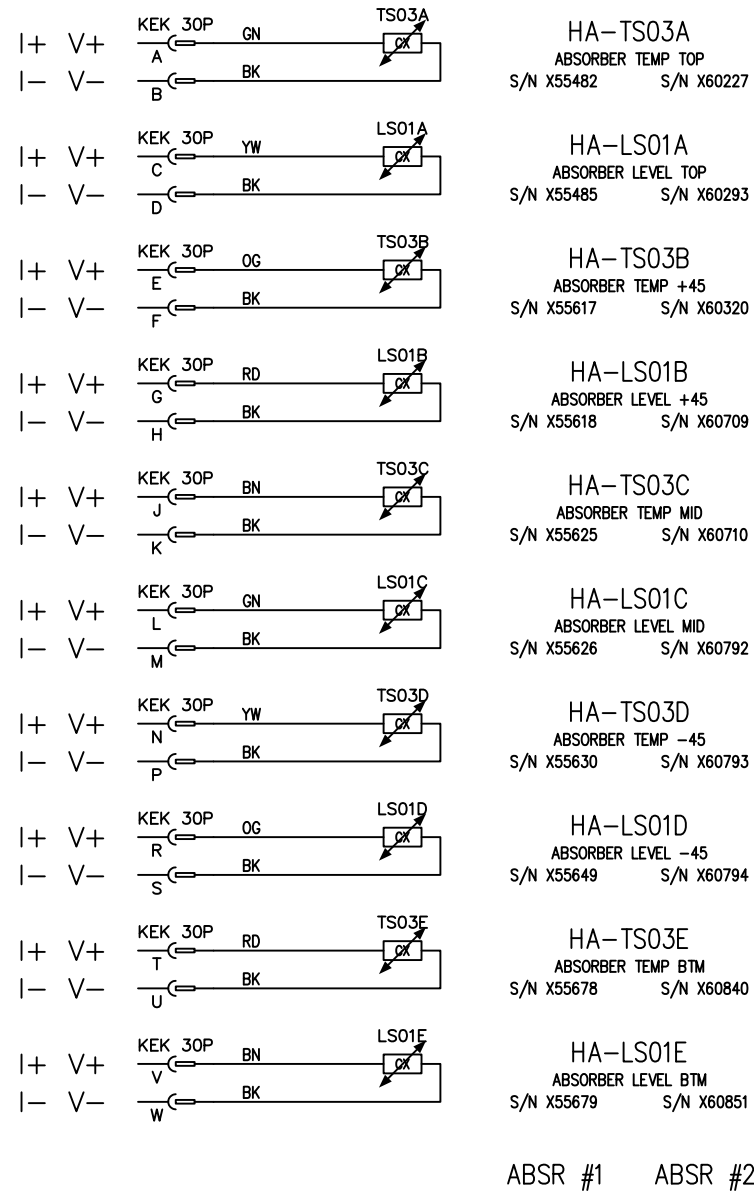
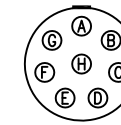
KEK ABSORBER 30 PIN PLG
HERMETIC FLANGE
VIEW ON PINS



KEK ABSORBER 22 PIN PLG
FIXED PLUG
VIEW ON PINS



KEK ABSORBER 8 PIN PLG
FIXED PLUG
VIEW ON PINS



NOTE:-
KEK INTERNAL HEATER WIRING
SMALL DIAMETER (7/0.2 ?? TBC)
ENSURE CURRENT IS LIMITED

ABSR #1 ABSR #2

ABSR #1 ABSR #2

KEK ABSORBER WIRING

SCALE		0	
ALL DIMENTIONS IN MILLIMETERS UNLESS OTHERWISE STATED			
DRN	PJW	CENTRAL LABORATORY OF THE RESEARCH COUNCILS	
DATE	MAR 2015	DARESBUARY LABORATORY	
		CHESHIRE	
CKD		TITLE	
DATE		MICE	
CERT		HYDROGEN SYSTEM	
DATE		WIRING DIAG OF HYDROGEN TURRET	
APPD		DRG No	ISSUE
DATE		A1-204/77513	SHT 5 OF 6
		CAD PART No 204_77513	
DRAWING LIST: - DL 204/77500			
CONTRACTORS COMPANY			
CONTRACTORS DRG No			

A FIRST ISSUE

AS R9 AUG 2016