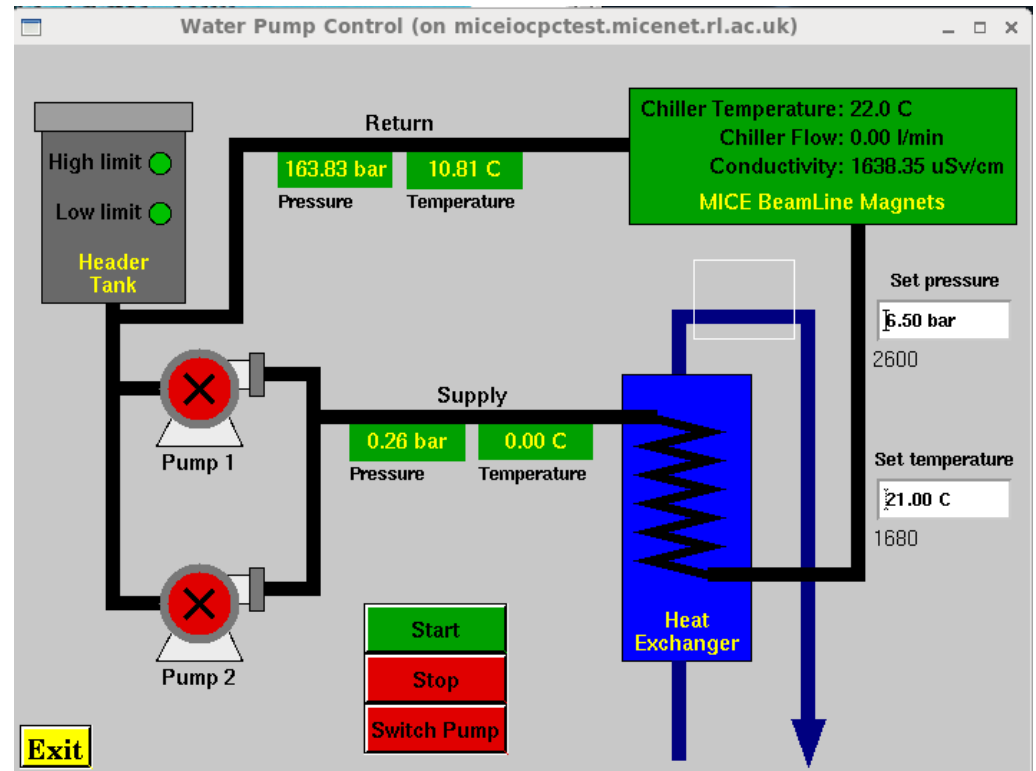


C&M for Channel Magnets

- Channel IOC
 - Runs magnet PSUs, PRY, Hall probes, QPS systems, N-side turbos
 - Can set individually or via CDB input (CDB to be used in RC)
 - Individual magnet Init and Set functions working – need to merge to single call
 - All QPS systems integrated – need DL FC map + SSD QPS mod
 - To Do:
 - confirm settings & confirm buttons
 - simplify ramp to: Pause, Zero, and Ramp (only)
- Run Control
 - Complete, then modified to use Channel functions – work in progress
 - To Do:
 - add sequence to read Channel TAG from CDB
 - add sequence to verify Channel settings before starting ramp
 - add Ramp button from Channel
 - add Skip Set Channel

Water



- New water control IOC
 - To be merged into Environment/Services IOC
 - Missing: flow, temperature, conductivity
 - Need to add valve position