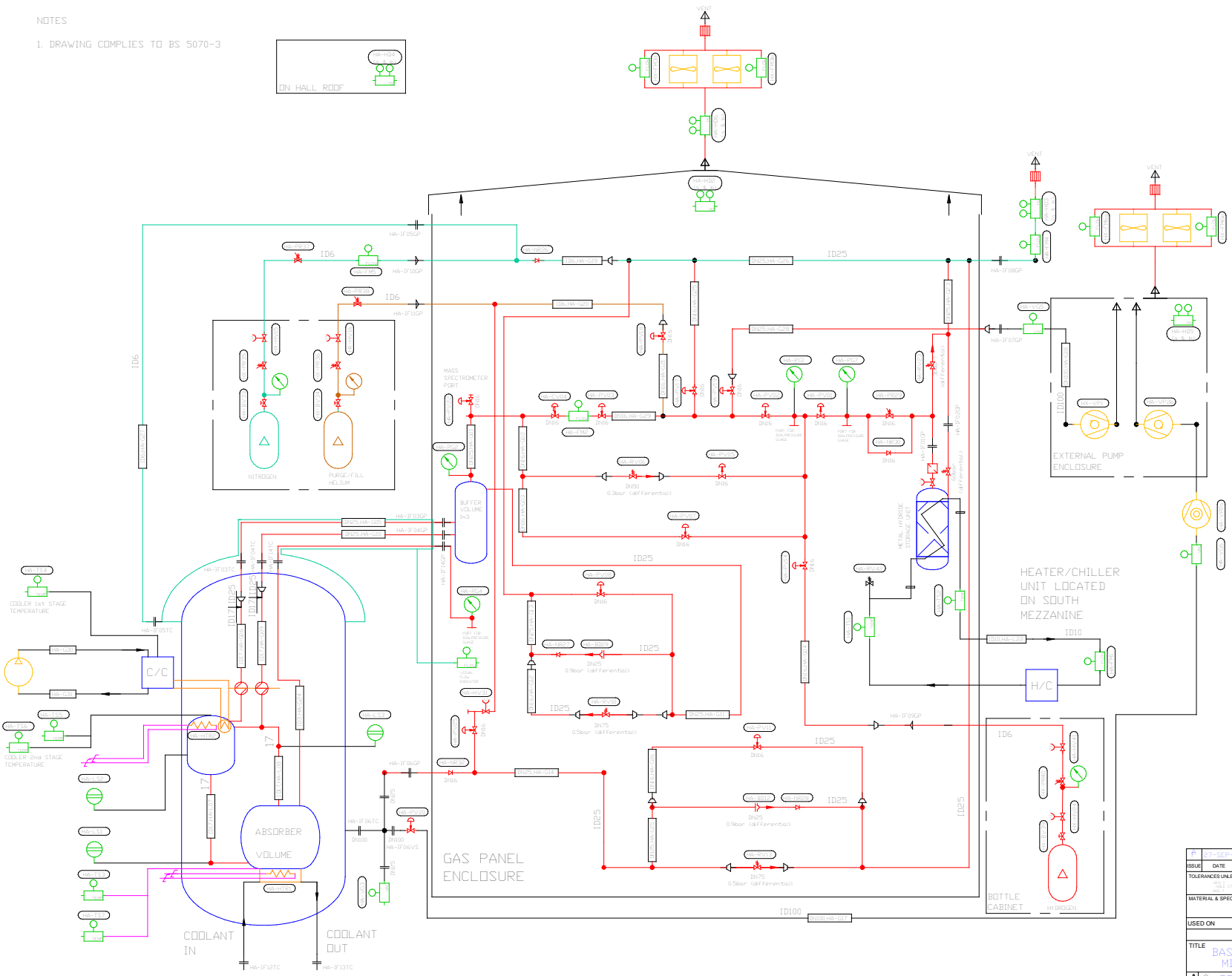


NOTES

1. DRAWING COMPLIES TO BS 5070-3



ISSUE	DATE	MOD. NO.	DRN BY	CHKD.	APPD.	STATUS
P	27-SEP-					

TOLERANCES UNLESS STATED	FINISH	DO NOT SCALE
MATERIAL & SPEC.	SURFACE TEXTURE μm	
	✓ UNLESS STATED	

USED ON	CCLRC 2004
CCLRC	RUTHERFORD-APPLETON LABORATORY, CHELSEA ROAD, OXFORD, OX1 0RH, UK

TITLE	BASELINE P&ID - SYSTEM A MICE HYDROGEN SYSTEM
-------	--

