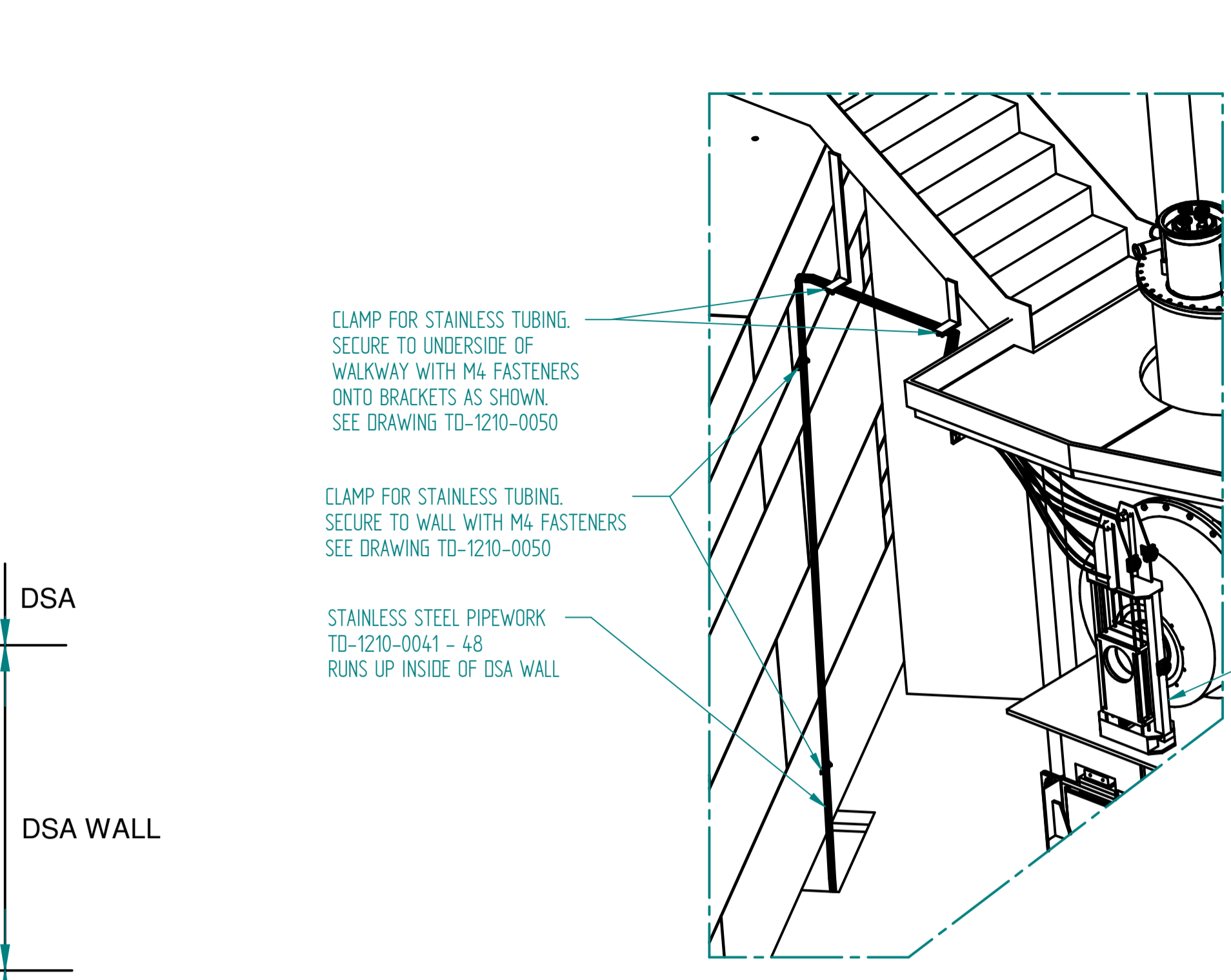
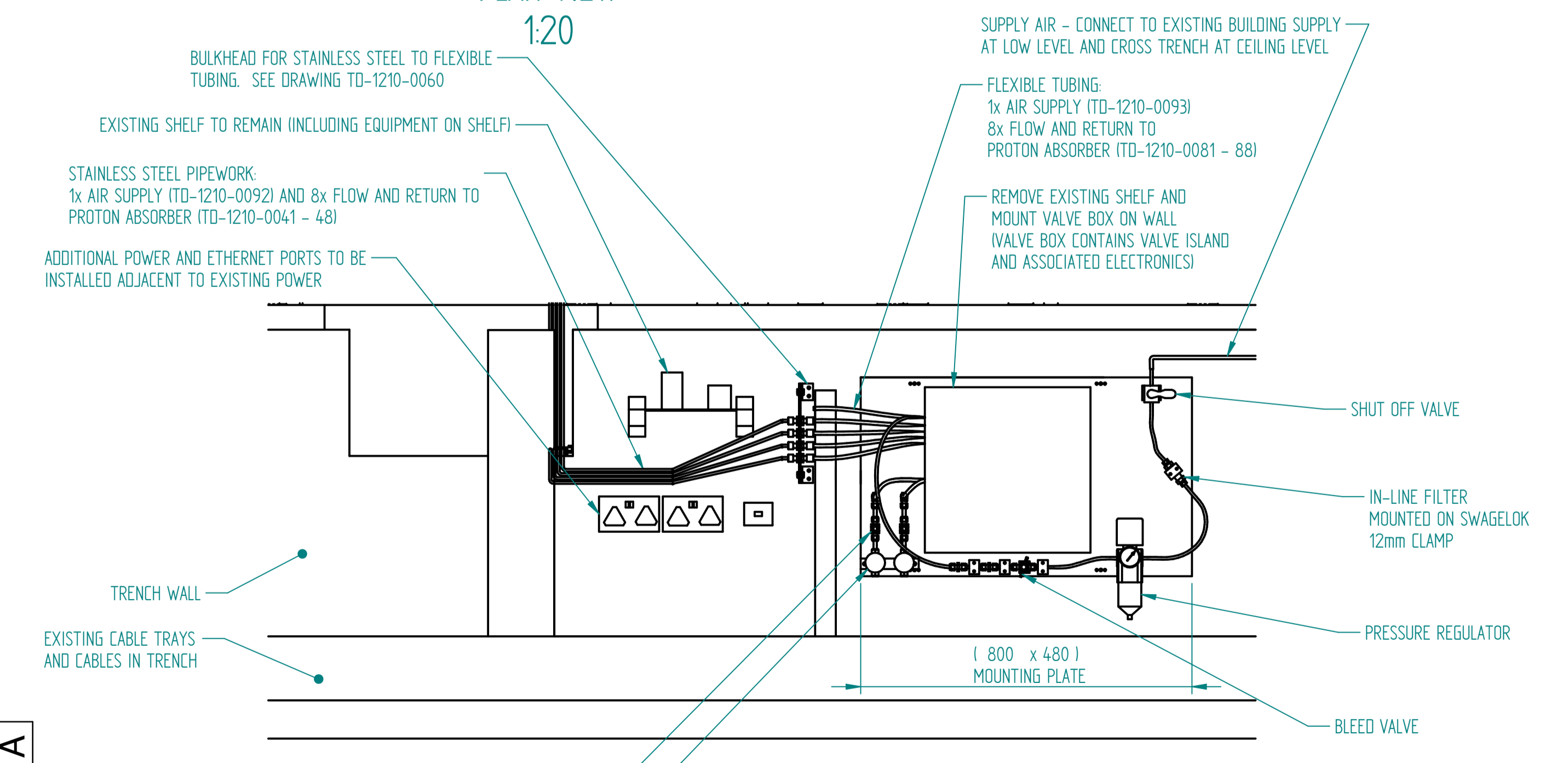
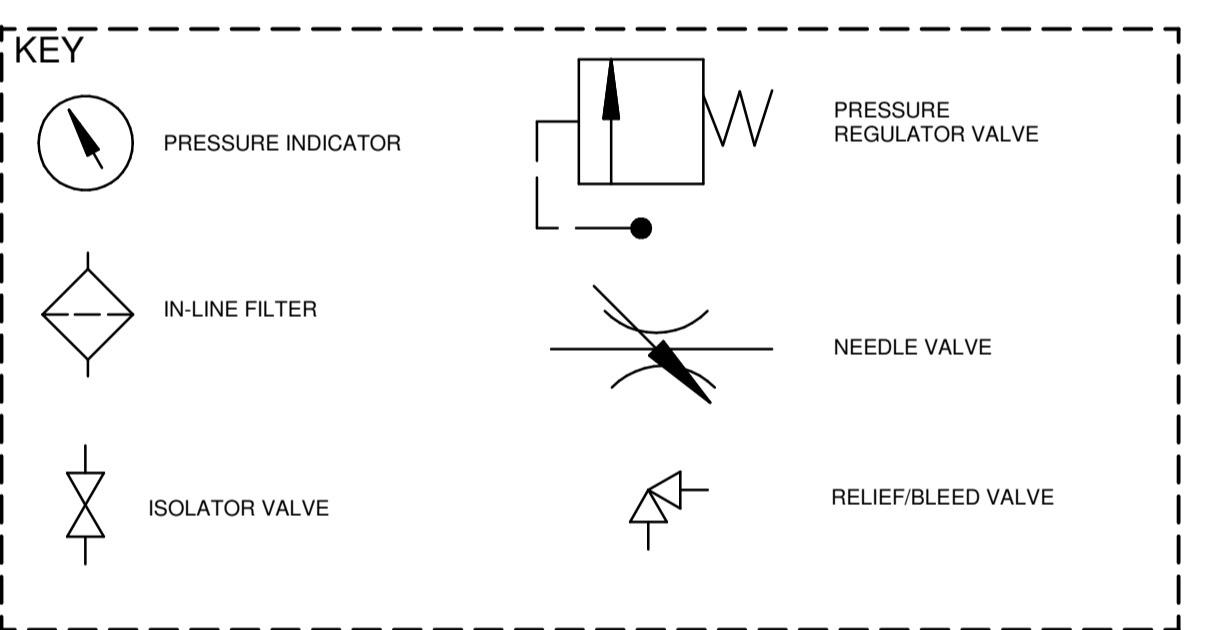
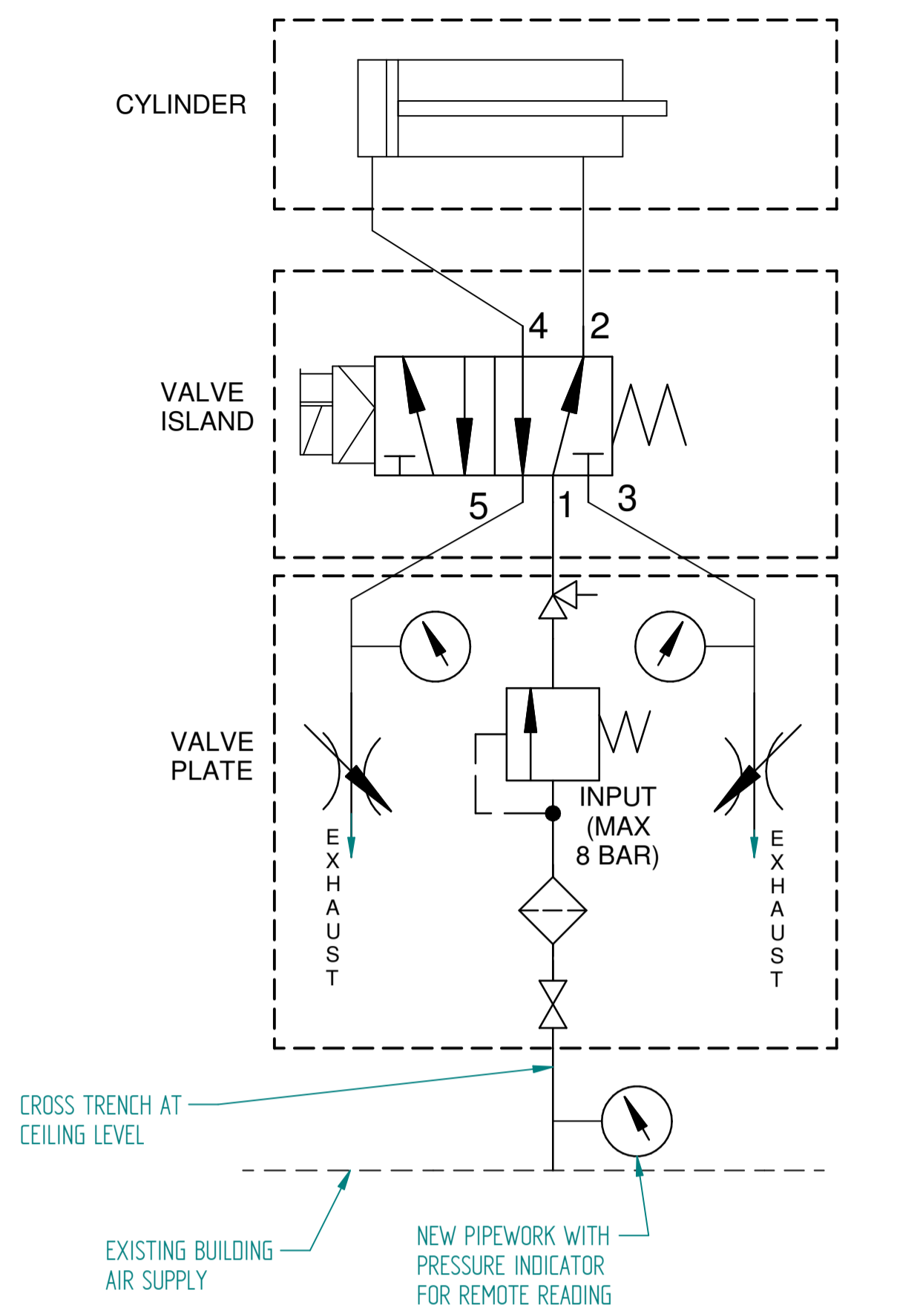


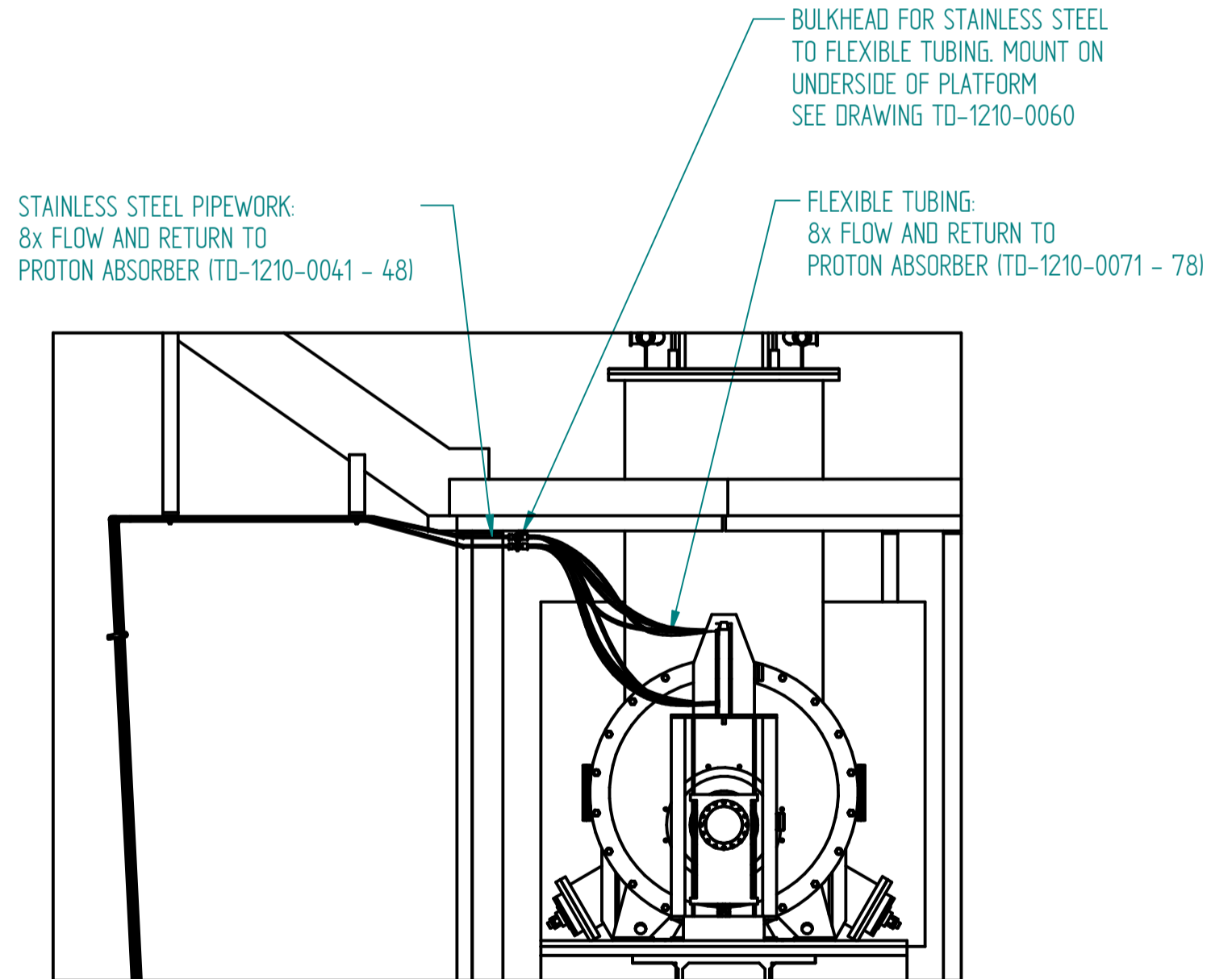
PLAN VIEW  
1:20



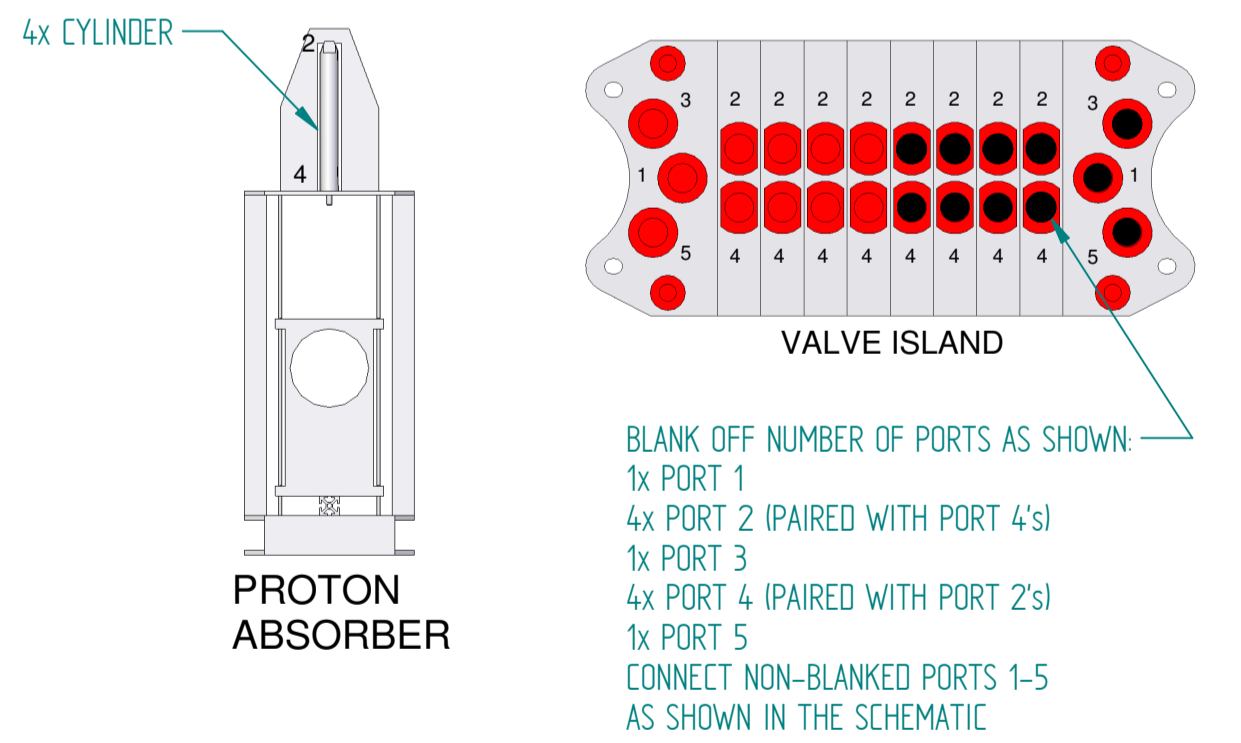
ISO VIEW  
DSA  
1:20



SECTION A-A  
TRENCH  
1:10



SECTION B-B  
DSA  
1:20



PROTON ABSORBER

VALVE ISLAND

BLANK OFF NUMBER OF PORTS AS SHOWN:  
 1x PORT 1  
 4x PORT 2 (PAIRED WITH PORT 4s)  
 1x PORT 3  
 4x PORT 4 (PAIRED WITH PORT 2s)  
 1x PORT 5  
 CONNECT NON-BLANKED PORTS 1-5 AS SHOWN IN THE SCHEMATIC

PIPEWORK REQUIRED							
PART NO.	DESCRIPTION	NO. OFF	TYPE	FROM	TO	DIAMETER (mm)	APPROX. LENGTH (mm)
TD-1210-0071 - 78	FLOW/RETURN	8	FLEXIBLE	PROTON ABSORBER	BULKHEAD	8	1000
TD-1210-0041 - 48	FLOW/RETURN	8	STAINLESS STEEL	BULKHEAD	BULKHEAD	6	6600
TD-1210-0081 - 88	FLOW/RETURN	8	FLEXIBLE	BULKHEAD	VALVE ISLAND	8	400
TD-1210-0092	SUPPLY	1	STAINLESS STEEL	BUILDING AIR	BULKHEAD	1/4"	7000 (ESTIMATE)
TD-1210-0093	SUPPLY	1	FLEXIBLE	BULKHEAD	VALVE ISLAND	10	400
TD-1210-0094 - 95	EXHAUST	2	FLEXIBLE	VALVE ISLAND	NEEDLE VALVE	10	300

- NOTES:
- ELECTRICAL ROUTING FOR LIMIT SWITCHES TO FOLLOW SAME ROUTE AS AIR PIPEWORK
  - RECOMMENDED INPUT PRESSURE 3 BAR (TBC DURING INSTALLATION)

A Error: No reference to Mod No		T.BROOKE Error: No reference to reference		MANUFACTURE Error: No reference to reference	
ISSUE	DATE APPD	MOD. No.	DRAWN BY	CHKD BY	APPD BY
TOLERANCES UNLESS STATED			SURFACE TEXTURE		
LINEAR ± 10			ANGULAR ± 5		
DRAWING CONFORMS TO BS 8888 TOLERANCING ISO 8015			MATERIAL & SPEC. MASS 0.000 kg		FINISH
DIMENSIONS IN mm UNLESS STATED			REMOVE ALL BURRS		
PROJECTS & MECHANICAL ENGINEERING GROUP (RAL)			USED ON		
HARWELL SCIENCE & INNOVATION CAMPUS, RUTHERFORD APPLETON LABORATORY, CHILTON, OXON, OX11 0QX					
<b>Proton Absorber Installation</b>					
<b>MICE</b>					
A1 TD-1210-0101			SHEET 1 of 1		