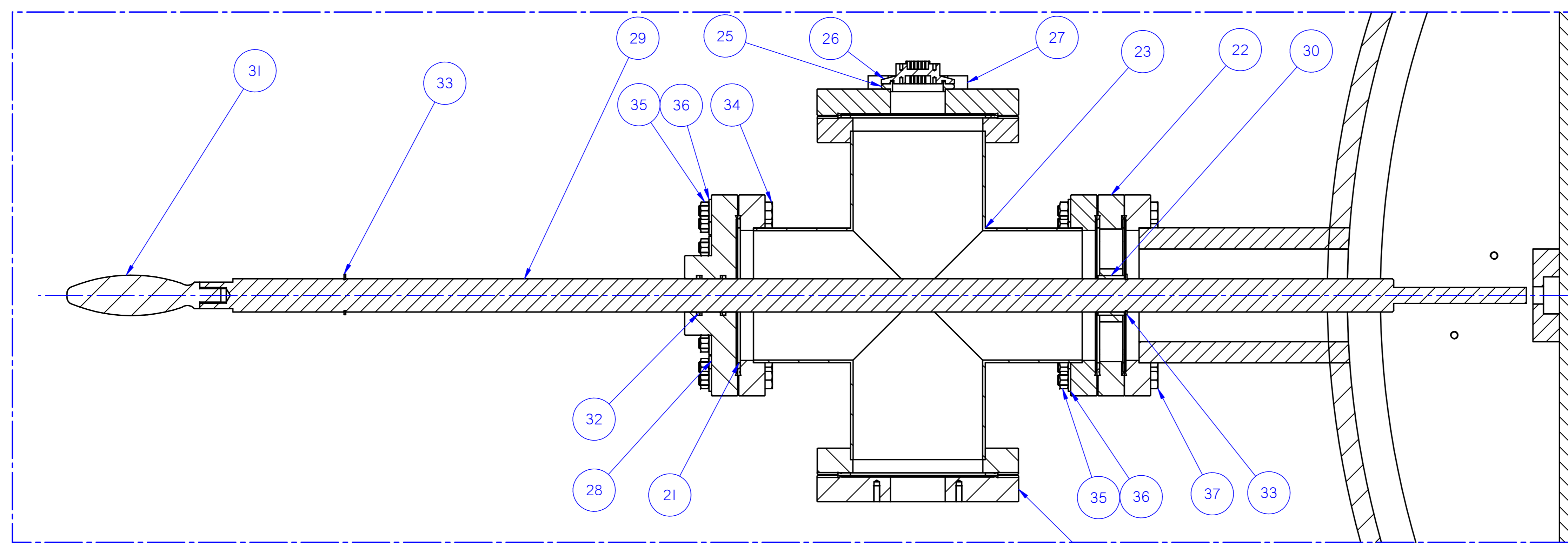


SECTION A-A



DETAIL B RADIATION SHIELD MANUAL OPERATION COMPONENTS DETAIL TYPICAL BOTH ENDS

REF	DRG No	DESCRIPTION	QTY
1	TD-II52-2304	GUIDE RAILS SET UP ASSEMBLY	1
2	TD-II52-2422	RIGHT SHUTTER ASSEMBLY	1
3	TD-II52-2423	LEFT SHUTTER ASSEMBLY	1
4	TD-II52-2430	CENTRE STOP BRACKET - LHS	1
5	TD-II29-4042	HELIUM WINDOW	1
6	SHS-040-008	M4 x 8 LG SKT HD CAP SCREW	16
7	TD-II52-2414	END STOP - LHS	1
8	TD-II52-2415	END STOP - RHS	1
9	SHS-050-025	M5 x 25 LG SKT HD CAP SCREW	12
10	NUT-050	M5 HEX NUT STD	4
11	SHS-080-030	M8 x 30 LG SKT HD CAP SCREW	24
12	OMRON M5	OMRON M5 TYPE (D5A-2100) LIMIT SWITCH ASSEMBLY	4
13	TD-II52-2426	MOTOR MOUNTING PLATE	2
14	HEASON HR8	DIRECT DRIVE MOTOR HR8-I-V	2
15	CERAMIC GUIDE STRIP	CERAMIC GUIDE STRIP 20 WIDE x 400 LONG	2
16	TD-II52-2431	CENTRE STOP BRACKET - RHS	1
17	WAS-06	M6 PLAIN WASHER	4
18	SHS-060-020	M6 x 20 LG SKT HD CAP SCREW	4
19	SHS-040-025	M4 x 25 LG SKT HD CAP SCREW	8
20	SHS-040-016	M4 x 16 LG SKT CAP HD SCREW	16
21	CU-GASK-152	152 DIA COPPER GASKET	10
22	TD-II52-2462	SLOTTED FEEDTHROUGH FLANGE	2
23	TD-II52-2468	DN 100CF 4 WAY CROSS	2
24	TD-II52-2424	FEEDTHROUGH FLANGE	4
25	DN40 KF GASK	DN40 KF GASKET	2
26	001-I2267	9 PIN 'D' CONNECTOR - NW40 KF FLANGE	2
27	001-I2966	DN40 KF BULKHEAD CLAMP	2
28	TD-II52-2461	DRIVE FLANGE	2
29	TD-II52-2465	EXTRACTOR ROD	2
30	TD-II52-2463	GUIDE BUSH	2
31	TD-II52-2464	WDS FIXED GRIP 8175-204	2
32	TD-II52-2467	O RING 24.99 ID x 3.53 SECTION	2
33	TD-II52-2466	EXTERNAL CIRCLIP CX-25S	4
34	HHS-080-050	M8 X 50 HEX HD SCREW	16
35	NUT-080	M8 HEX NUT	32
36	WAS-080	M8 PLAIN WASHER	32
37	HHS-080-070	M8 X 70 HEX HD SCREW	16

MAIN RADIATION SHIELD COMPONENTS (ITEMS 1-20)
BALLOON REFERENCED ON GENERAL
(MOTORISED) SHIELD ASSEMBLY
REF. DRG. NO. TD-II52-2421.

ALL FASTENERS TO BE STAINLESS STEEL
316 GRADE A4

RELEASE STATUS		WIP	
WELDING SPEC		---	
MATERIAL SPEC		---	
MATERIAL		---	
TOLERANCES UNLESS OTHERWISE STATED			
LINEAR DIMENSIONS UP TO		---	± --- OVER
ANGULAR DIMENSIONS		± ---	
SCALE		1:5	
ALL DIMENSIONS IN mm UNLESS OTHERWISE STATED			
DRN. DATE.	GS	SCIENCE AND TECHNOLOGY FACILITIES COUNCIL	
02/08/2012		DARESBURY LABORATORY	
CKD. DATE.	GS	CHESHIRE	
02/08/2012		TITLE	
APPD. DATE.	NAC	RADIATION SHIELD ASSEMBLY	
02/08/2012		MANUAL OPERATION	
DRG NO.		TD-II52-2475	SHEET 1 OF 1
SOLID EDGE CAD PART/ASSEMBLY NO.		TD-II52-2475.ssm	A
USED ON		MICE TDR 126	
CONTRACTORS COMPANY		---	
CONTRACTORS DRG NO.		---	

THIS DRAWING IS THE PROPERTY OF STFC AND MAY NOT BE COPIED OR USED FOR ANY PURPOSE OTHER THAN THAT FOR WHICH IT IS SUPPLIED WITHOUT THE EXPRESS WRITTEN AUTHORITY OF STFC.