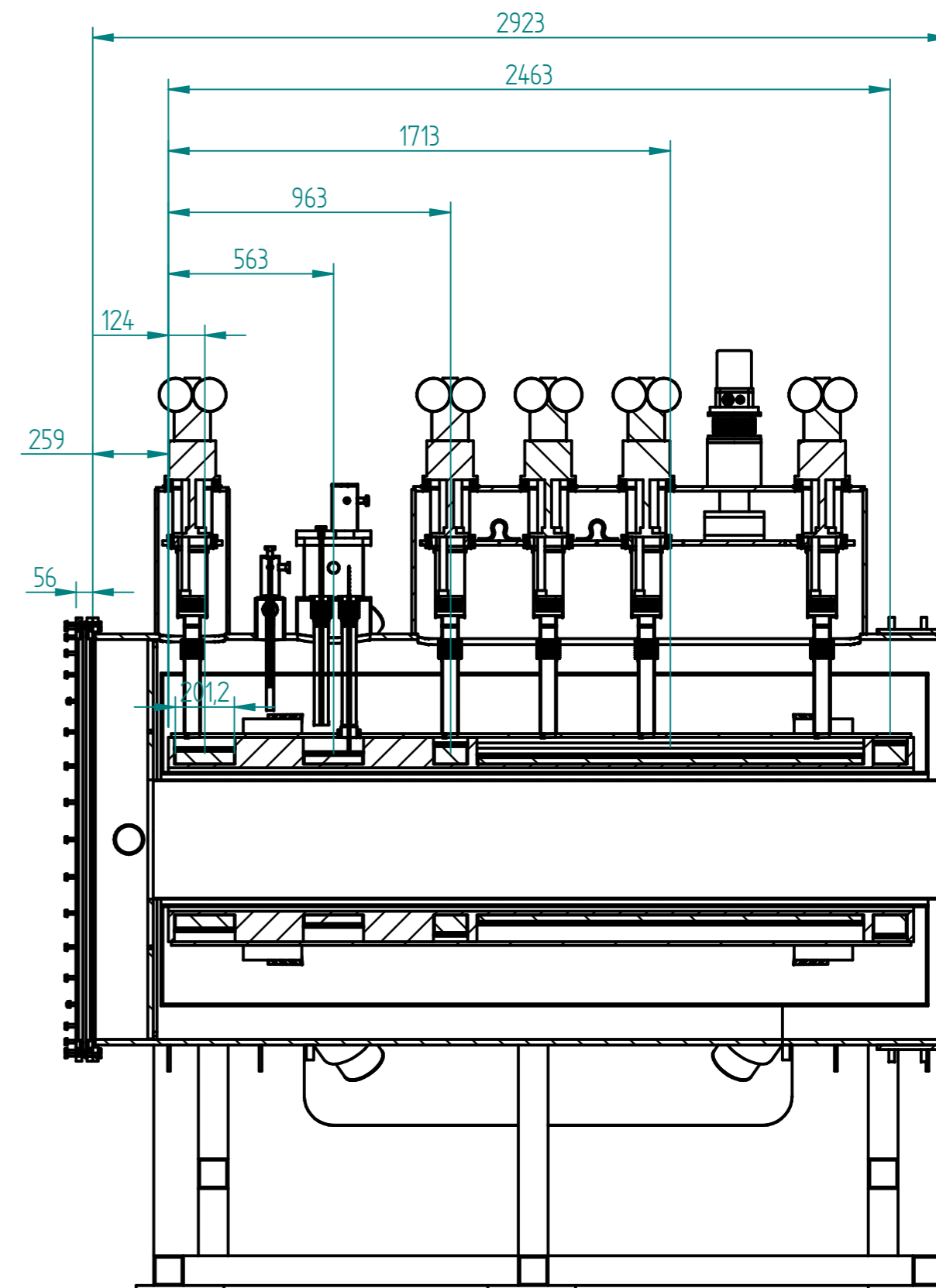
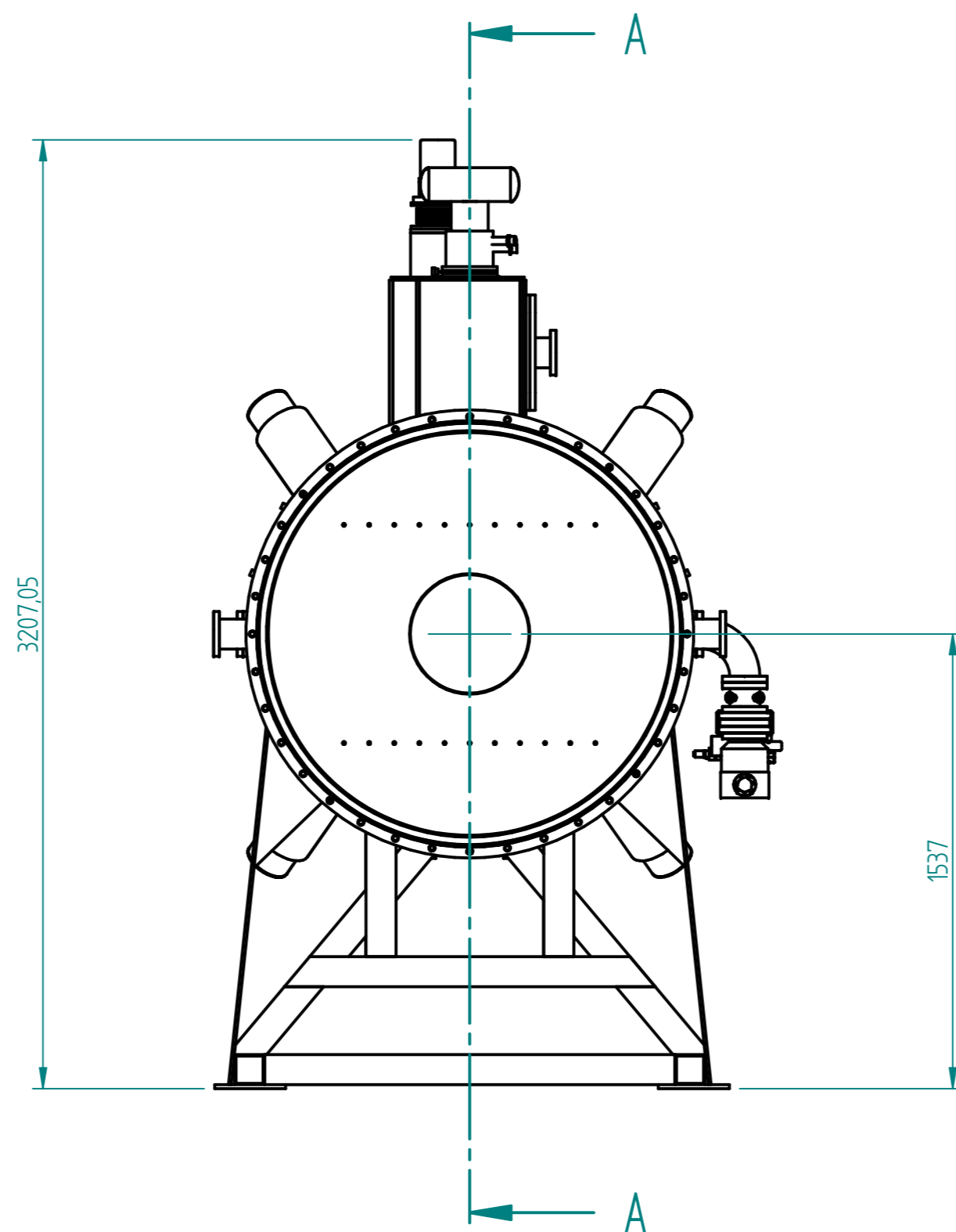
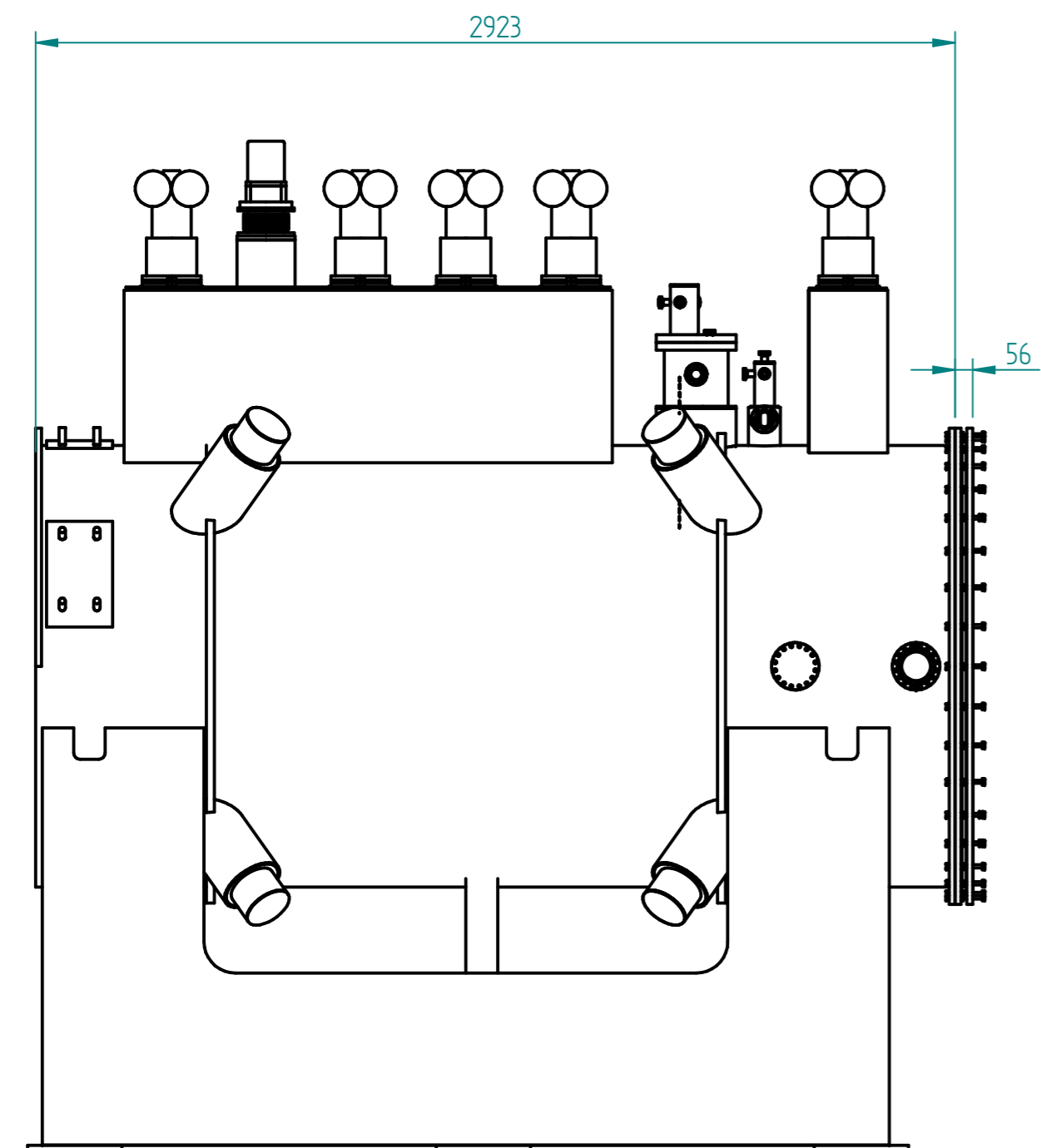
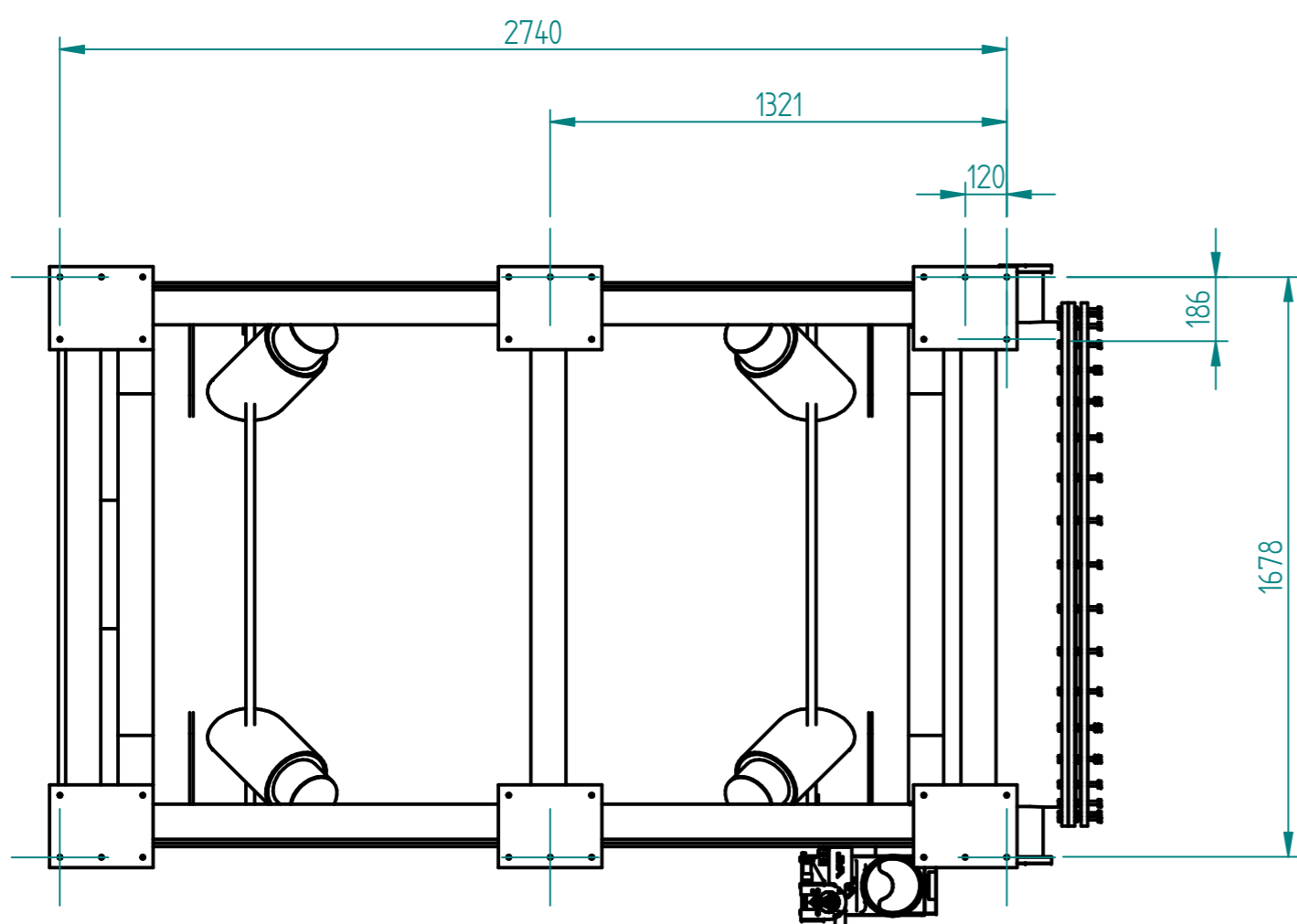



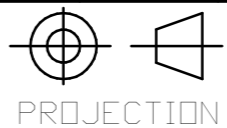
**FOR INFORMATION ONLY
DRAFT - 17/03/14**



SECTION A-A

CONVERTED FROM MODEL IN EMAIL
From: Preece, Roy (STFC,RAL,PPD)
Sent: 26 September 2011 17:34
To: Tarrant, Jason (STFC,RAL,TECH); Hayler, Tim (STFC,RAL,TECH)
Subject: Spec Sol Model



A Error: No reference		J S TARRANT Error: No reference		MANUFACTURE ONLY WHEN STATUS IS RELEASED		Error: No reference	
ISSUE	DATE APPD	MOD. No.	DRAWN BY	CHKD BY	APPD BY	STATUS	
 		TOLERANCES UNLESS STATED LINEAR ± N/A ANGULAR ± N/A			SURFACE TEXTURE N/A μm		
DRAWING CONFORMS TO BS 8888 TOLERANCING ISO 8015			MATERIAL & SPEC. (None)		FINISH N/A REMOVE ALL BURRS		
PROJECTS & MECHANICAL ENGINEERING GROUP (RAL)				USED ON			
HARWELL SCIENCE & INNOVATION CAMPUS, RUTHERFORD APPLETON LABORATORY, CHILTON, OXON, OX11 0QX							
SPECTROMETER SOLENOID (SEPT 11) MICE INTEGRATION ENGINEERING							
MICE TDR126							
A2		TD-1152-9243				SHEET 1 of 1	