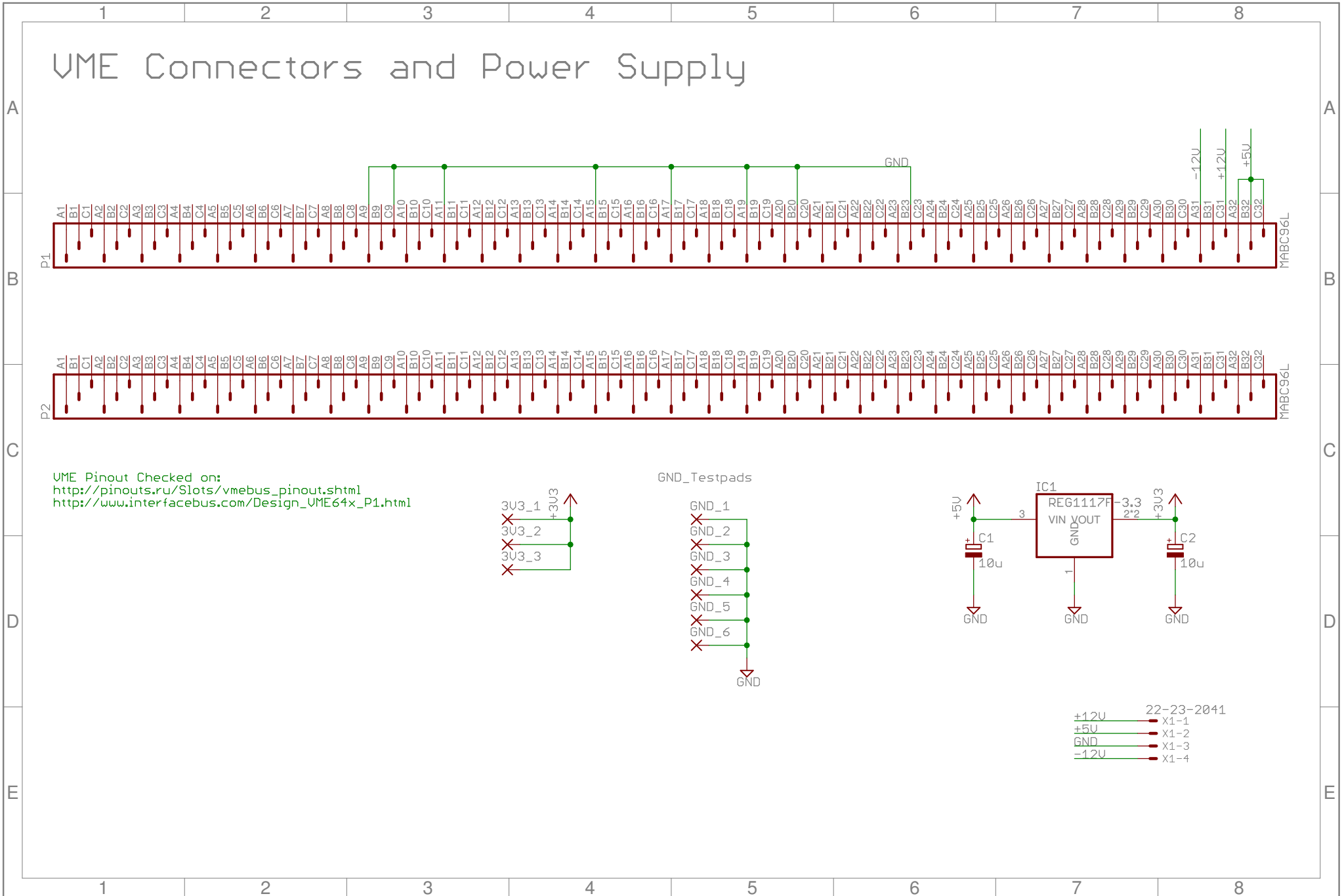
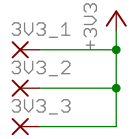


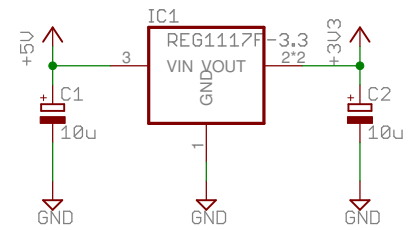
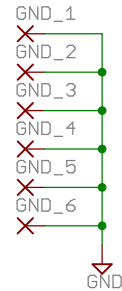
# VME Connectors and Power Supply



UME Pinout Checked on:  
[http://pinouts.ru/Slots/vmebus\\_pinout.shtml](http://pinouts.ru/Slots/vmebus_pinout.shtml)  
[http://www.interfacebus.com/Design\\_UME64x\\_P1.html](http://www.interfacebus.com/Design_UME64x_P1.html)

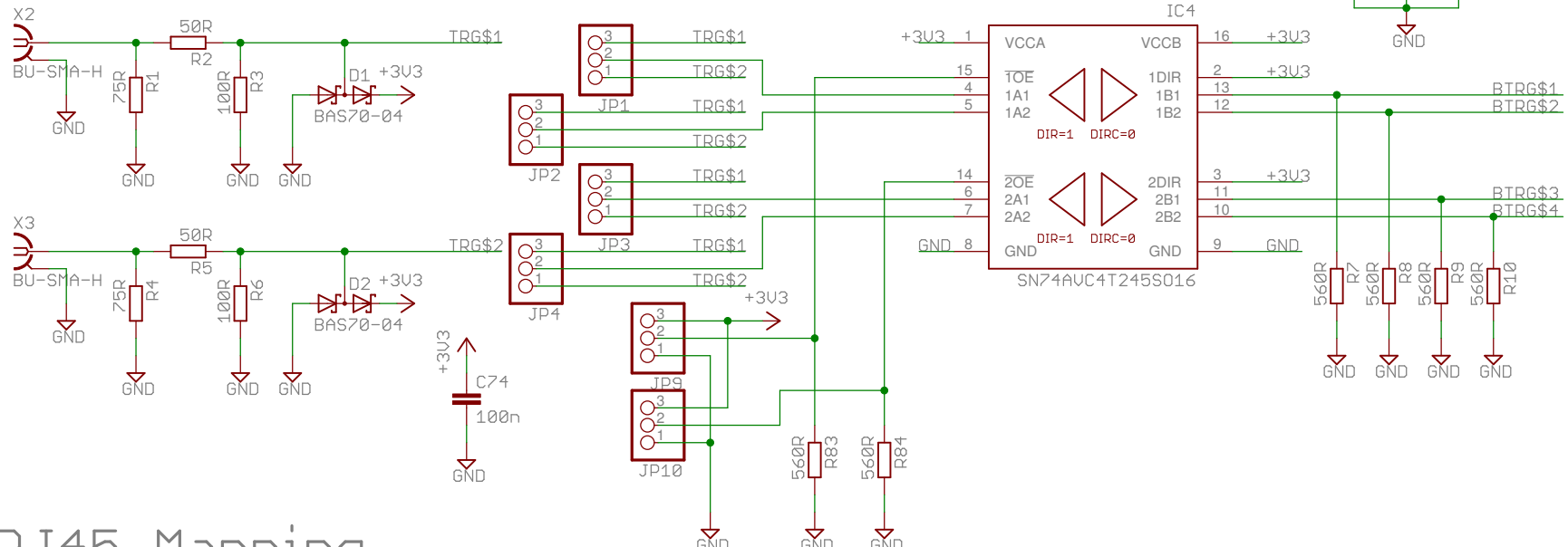


GND\_Testpads

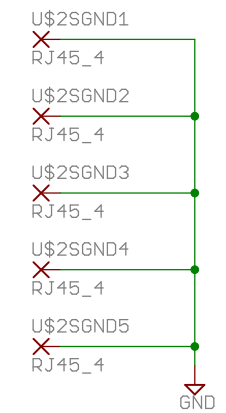
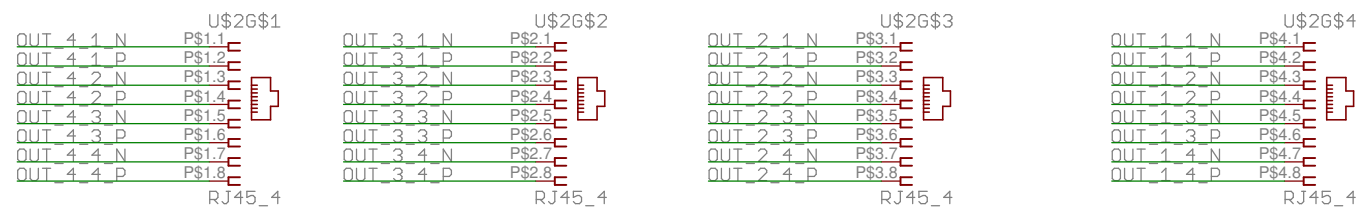


22-23-2041  
 +12V: X1-1  
 +5V: X1-2  
 GND: X1-3  
 -12V: X1-4

# Input Fanout

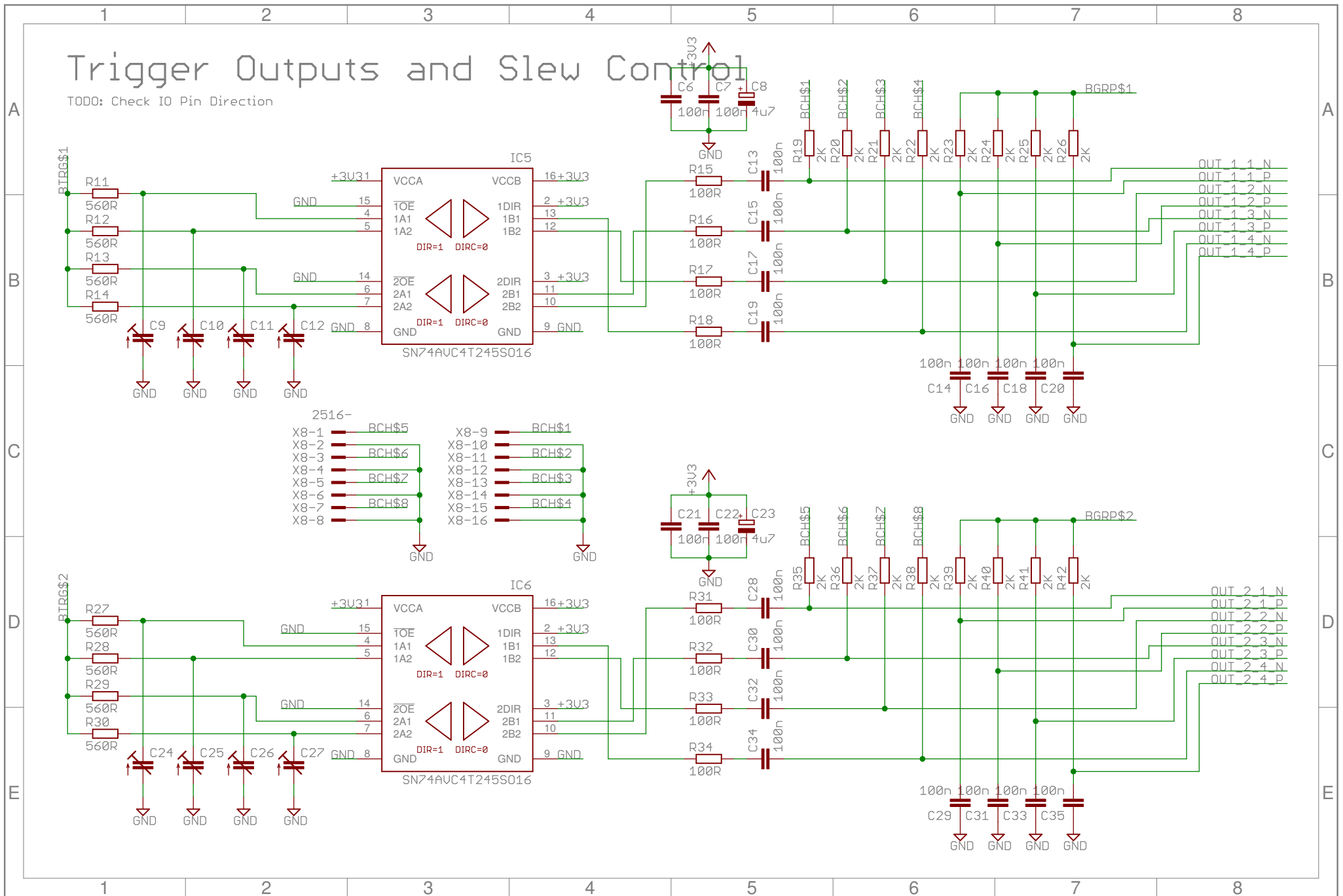


# RJ45 Mapping



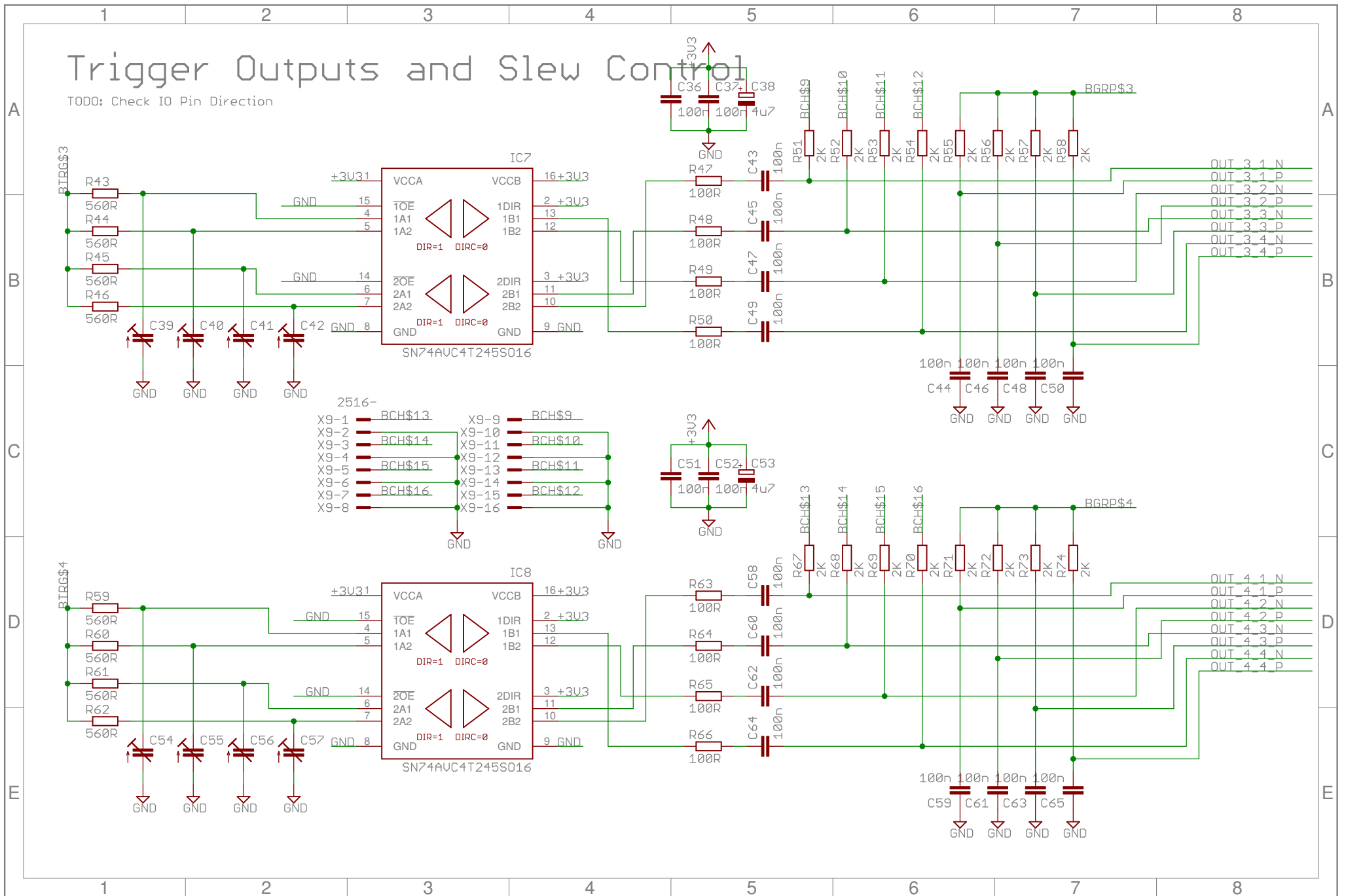
# Trigger Outputs and Slew Control

TODD: Check IO Pin Direction



# Trigger Outputs and Slew Control

TODD: Check IO Pin Direction



# Common Bias Generation

